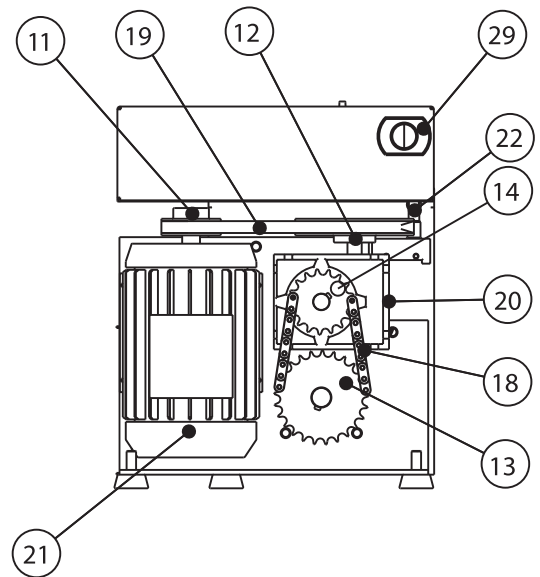
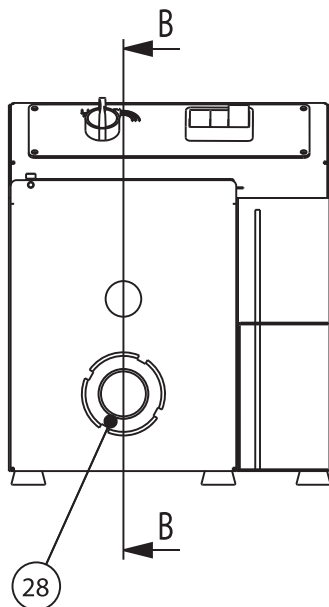
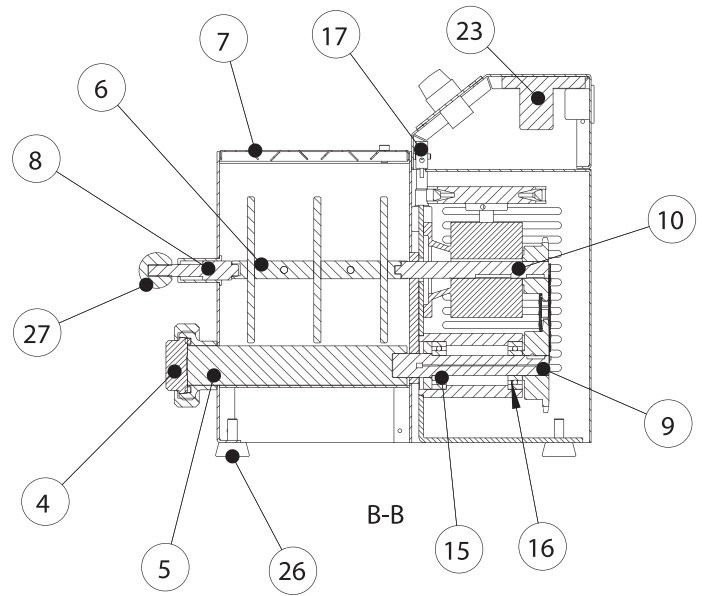
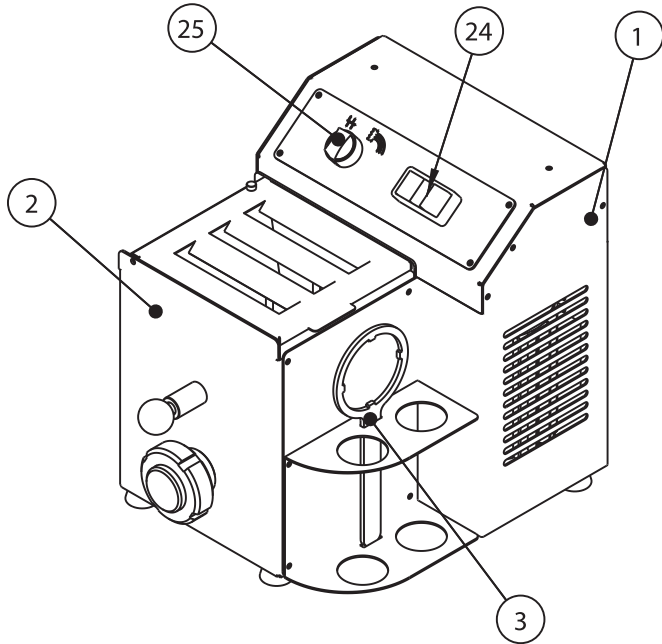


Parts Breakdown

Model PM-IT-0002 13317



Parts Breakdown

Model PM-IT-0002 13317

Item No.	Description	Position	Item No.	Description	Position	Item No.	Description	Position
42532	Rear Casing for 13317	1	42542	Pulley Diameter 50 SPZ 1 for 13317	11	42552	Motor 63 220 Volt 50/60 Hz for 13317	21
42533	Tank for 13317	2	42543	Pulley Diameter 100 SPZ 1 for 13317	12	42553	Micro Switch for 13317	22
42534	Key for 13317	3	42544	Pinion Z=25 3/8" for 13317	13	42554	Complete Electric Kit for 13317	23
42535	Cap Sleeve for 13317	4	42545	Pinion Z=17 3/8" for 13317	14	42555	Start/Stop Button for 13317	24
42536	Worm for 13317	5	42546	Bearing 7203 BEP for 13317	15	42556	Reverse for 13317	25
42537	Mixer for 13317	6	42547	Bearing 6230 2RS for 13317	16	42557	Foot for 13317	26
42538	Cover for 13317	7	42548	Cam for Microswitch for 13317	17	42558	Knob for 13317	27
42539	Shaft for 13317	8	42549	Chain and Coupling 3/8" for 13317	18	42559	Locking Ring for 13317	28
42540	Shaft for Screw for 13317	9	42550	Belt Z 18 1/2" for 13317	19	42560	Cable Gland for 13317	29
42541	Shaft for Gear for 13317	10	42551	Reductor RT28 1/28 with Flange for 13317	20			